



## HBL560P9W -- Pin and Sleeve Products



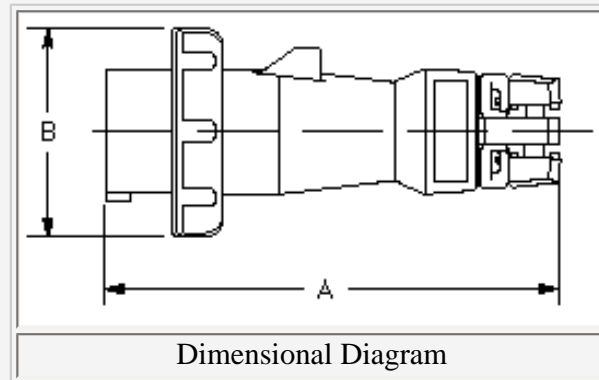
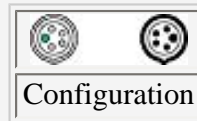
Watertight IEC Pin and Sleeve Plug, 4P5W, 60A 3PH 120/208V

### Product Specifications

<b>Product Type</b>	 <p><b>IEC Devices</b></p>
<b>IEC Product Type</b>	Watertight
<b>Service Style</b>	Standard
<b>Device</b>	Plug
<b>Amperage</b>	60A
<b>Voltage</b>	3 Phase Y 120/208V
<b>Poles and Wires</b>	4 Pole, 5 Wire
<b>Terminal Accommodations</b>	#8 To #2 AWG copper wire only
<b>Cord clamp range</b>	.500" To 1.450"
<b>Color</b>	 <p><b>Blue</b></p>
<b>Replacement Interior Number</b>	IN560EM
<b>Hinge Spring</b>	Stainless Steel (300 series)

<b>Housing</b>	Zytel 801 Nylon
<b>Lock Ring</b>	Rynite SST35
<b>Contact Carrier</b>	High-Impact Thermoset
<b>Retainer</b>	High-Impact Thermoset
<b>Ground/Phase Pins</b>	Brass
<b>Terminal Screws</b>	Stainless Steel (300 series)
<b>Assembly Screws</b>	Stainless Steel (300 series)
<b>Gaskets</b>	Neoprene
<b>Cord Clamps</b>	Rynite SST35
<b>Grommet/Glands</b>	Solid Neoprene
<b>Gland Cap</b>	Rynite SST35
<b>Cord Clamp Screws</b>	Stainless Steel (300 Series)
<b>Clamp Nut</b>	Nickel Plated Brass
<b>Certification</b>	UL Listed, CSA Certified
<b>Dielectric Withstand Voltage</b>	Withstands 3,000V AC
<b>Max Working Voltage</b>	600V AC RMS
<b>Current Interrupting</b>	Certified for current interrupting at full rated current.
<b>Short Circuit Withstand</b>	Suitable for use on a circuit capable of delivering not more than 10,000 RMS symmetrical amperes at the voltage rating of the receptacle.
<b>Temperature Rise</b>	Max 30° C temperature rise at full rated current after 50 cycles of overload at 150% of rated current at a power factor of 75%.
<b>Endurance</b>	Mechanical: 10,000 cycles, Electrical: 6,000 cycles.
<b>Impact Resistance</b>	In accordance with UL746C
<b>Cord Grip Retention</b>	Per CSA C22.2 No. 182.1 / UL1682.
<b>Cord Accommodation</b>	Round portable service cords of diameters commensurate with the device rating as defined in UL Standard 62, CSA C22.2 No. 49 and the harmonized European Standards.
<b>Terminal Identification</b>	Terminals identified in accordance with North American and International conventions.
<b>Product Identification</b>	Identification and ratings are a part of the external label and molded into the receptacle mount.
<b>Moisture Resistance</b>	Watertight per IEC 60309-1
<b>Ingress Protection</b>	IP67 Suitability
<b>Flammability</b>	UL94-5VA and V-0 classification.
<b>Operating Temperatures</b>	Maximum Continuous: 75° C; Minimum Continuous: -40° C w/o impact.

<b>UV Resistance</b>	All materials are UV Stabilized.
<b>Certifications</b>	UL Listed, CSA Certified.
<b>Device Description</b>	Every Hubbell non-metallic Pin and Sleeve product is designed to meet the International Standard IEC 60309-1 and IEC 60309-2. This device standard calls out singly rated, non-interchangeable configuration for every voltage and type of service.
<b>Catalog Page</b>	<a href="#">Click here for catalog page E5</a>
<b>M Drawings</b>	<a href="#">Click here for M-Drawing</a>
<b>Brochures</b>	<a href="#">Click here for product brochure</a>
<b>Catalog Section</b>	<a href="#">Click here for Section-E</a>
<b>UPC Number</b>	78358540570
<b>Weight in LBs</b>	2.35



## Pin and Sleeve

## Watertight Devices Ordering Information

60 and 100 Ampere – North American Ratings

63 and 125 Ampere – International Ratings

UL	SF	IP67 Suitability	Watertight Devices				Back Boxes		Replacement Interior Kits			
			Receptacle	Plug	Connector	Inlet	Non-Metallic	Metallic	Conn. Recept.	Plugs Inlets		
											Poles and Wires	Configuration Recep./ Conn.
60	2P 3W			125	HBL360R4W	HBL360P4W	HBL360C4W	HBL360B4W	BB60N	BB601W BB602W	IN360AF	IN360AM
	2P 3W			250	HBL360R6W	HBL360P6W	HBL360C6W	HBL360B6W	BB60N	BB601W BB602W	IN360BF	IN360BM†
	2P 3W			480	HBL360R7W	HBL360P7W	HBL360C7W	HBL360B7W	BB60N	BB601W BB602W	IN360BF	IN360BM†
	3P 4W			125/250	HBL460R12W	HBL460P12W	HBL460C12W	HBL460B12W	BB60N	BB601W BB602W	IN460CF	IN460CM
	3P 4W			3Ø250	HBL460R9W	HBL460P9W	HBL460C9W	HBL460B9W	BB60N	BB601W BB602W	IN460DF	IN460DM
	3P 4W			3Ø480	HBL460R7W	HBL460P7W	HBL460C7W	HBL460B7W	BB60N	BB601W BB602W	IN460DF	IN460DM
	3P 4W			3Ø600	HBL460R5W	HBL460P5W	HBL460C5W	HBL460B5W	BB60N	BB601W BB602W	IN460DF	IN460DM
	4P 5W			3ØY120/208	HBL560R9W	HBL560P9W	HBL560C9W	HBL560B9W	BB60N	BB601W BB602W	IN560EF	IN560EM†
	4P 5W			3ØY277/480	HBL560R7W	HBL560P7W	HBL560C7W	HBL560B7W	BB60N	BB601W BB602W	IN560EF	IN560EM†
	4P 5W			3ØY347/600	HBL560R5W	HBL560P5W	HBL560C5W	HBL560B5W	BB60N	BB601W BB602W	IN560EF	IN560EM†
63	2P 3W			220-240	HBL363R6W	HBL363P6W	HBL363C6W	HBL363B6W	BB60N	BB601W BB602W	IN360BFS	IN360BMS†
	3P 4W			380-415	HBL463R6W	HBL463P6W	HBL463C6W	HBL463B6W	BB60N	BB601W BB602W	IN460DFS	IN460DMS
	4P 5W			220/380 240/415	HBL563R6W	HBL563P6W	HBL563C6W	HBL563B6W	BB60N	BB601W BB602W	IN560EFS†	IN560EMS
100	2P 3W			125	HBL3100R4W	HBL3100P4W	HBL3100C4W	HBL3100B4W	BB100N	BB1001W BB1002W	IN3100AF	IN3100AM
	2P 3W			250	HBL3100R6W	HBL3100P6W	HBL3100C6W	HBL3100B6W	BB100N	BB1001W BB1002W	IN3100BF	IN3100BM†
	2P 3W			480	HBL3100R7W	HBL3100P7W	HBL3100C7W	HBL3100B7W	BB100N	BB1001W BB1002W	IN3100BF	IN3100BM†
	3P 4W			125/250	HBL4100R12W	HBL4100P12W	HBL4100C12W	HBL4100B12W	BB100N	BB1001W BB1002W	IN4100CF†	IN4100CM
	3P 4W			3Ø250	HBL4100R9W	HBL4100P9W	HBL4100C9W	HBL4100B9W	BB100N	BB1001W BB1002W	IN4100DF	IN4100DM
	3P 4W			3Ø480	HBL4100R7W	HBL4100P7W	HBL4100C7W	HBL4100B7W	BB100N	BB1001W BB1002W	IN4100DF	IN4100DM
	3P 4W			3Ø600	HBL4100R5W	HBL4100P5W	HBL4100C5W	HBL4100B5W	BB100N	BB1001W BB1002W	IN4100DF	IN4100DM
	4P 5W			3ØY120/208	HBL5100R9W	HBL5100P9W	HBL5100C9W	HBL5100B9W	BB100N	BB1001W BB1002W	IN5100EF	IN5100EM
	4P 5W			3ØY277/480	HBL5100R7W	HBL5100P7W	HBL5100C7W	HBL5100B7W	BB100N	BB1001W BB1002W	IN5100EF	IN5100EM
	4P 5W			3ØY347/600	HBL5100R5W	HBL5100P5W	HBL5100C5W	HBL5100B5W	BB100N	BB1001W BB1002W	IN5100EF	IN5100EM
125	2P 3W			220-240	HBL3125R6W	HBL3125P6W	HBL3125C6W	HBL3125B6W	BB100N	BB1001W BB1002W	IN3100BFS †	IN3100BMS †
	3P 4W			380-415	HBL4125R6W	HBL4125P6W	HBL4125C6W	HBL4125B6W	BB100N	BB1001W BB1002W	IN4100DFS	IN4100DMS
	4P 5W			220/380 240/415	HBL5125R6W	HBL5125P6W	HBL5125C6W	HBL5125B6W	BB100N	BB1001W BB1002W	IN5100EFS	IN5100EMS

Notes: All 63A and all 125A devices have pilot pins or contacts.

See page E-6, E-7 for accessories. See page E-8, E-9 for product dimensions. See page E-10, E-11 for product specifications. Closure caps purchased separately, see page E-7.

† Consult factory.